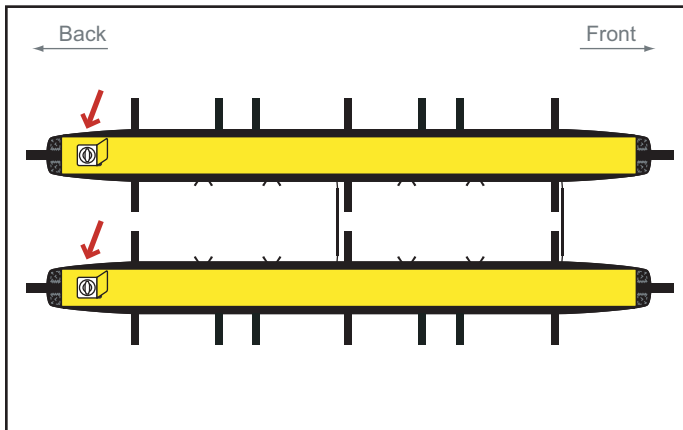
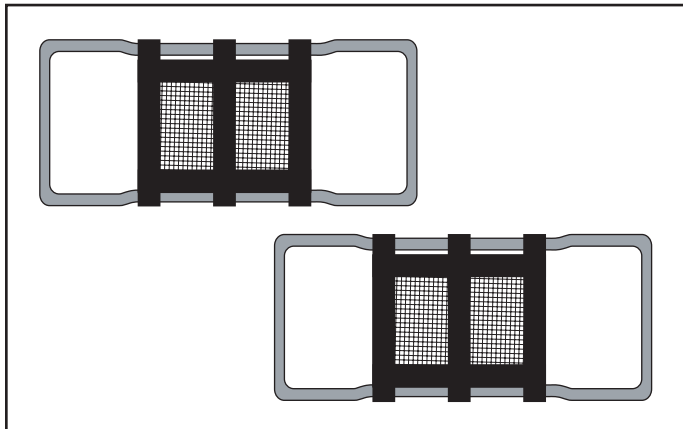


HAIKU Instructions



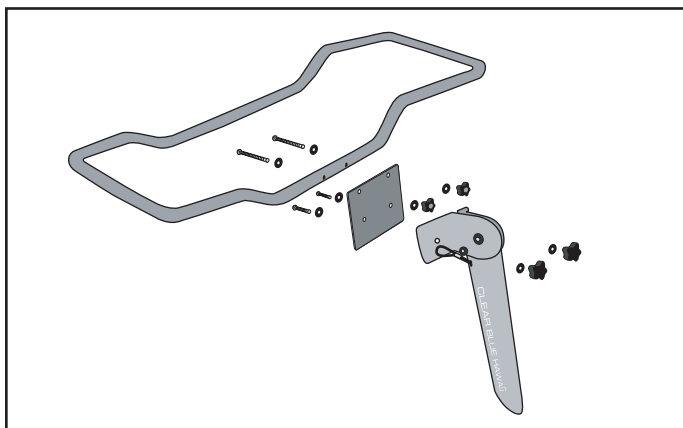
Step 1

Lay both of the pontoon skins flat. Identify the valve section (View arrows). Pump each bladder until they are nice and firm. Make sure to leave a bit of tolerance in the event that you are using the boat on a sunny day (Heat expands air).



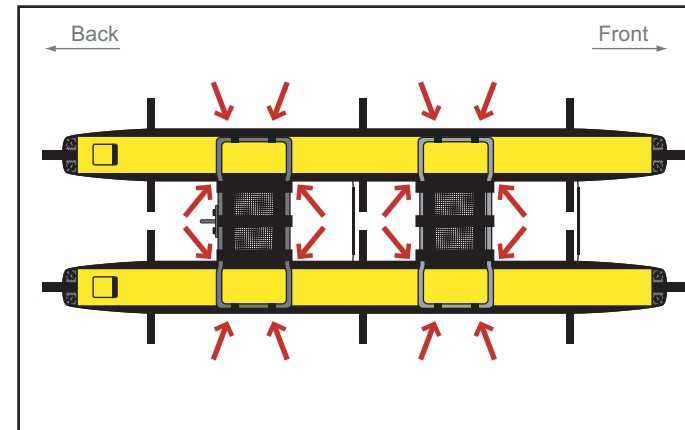
Step 2

Identify the frame seating system as well as the mesh seating support. Make sure when you attach the mesh seating support that you adjust the tension tightly so that your seating does not sag.



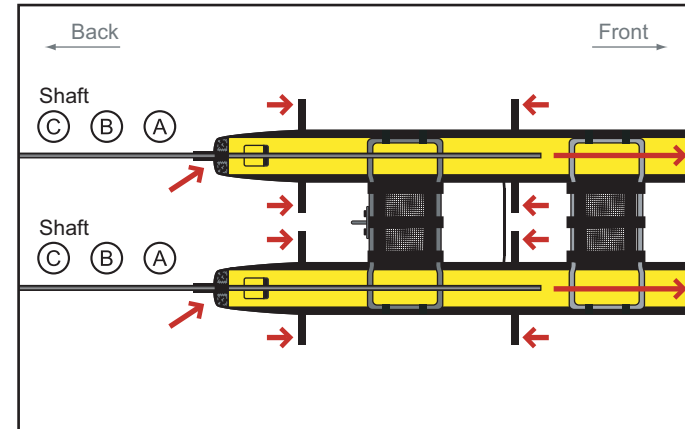
Step 3

Attach the retractable skeg system as shown in the illustration. The skeg attaches aft of the back seating frame system (View the diagram in step 4 to get a clear idea of correct positioning).



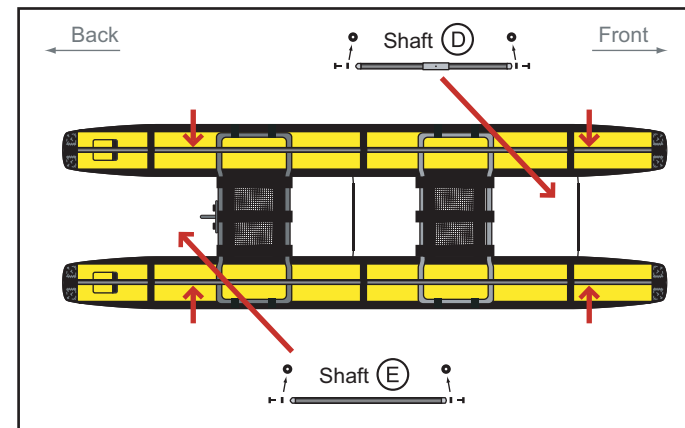
Step 4

Attach the frame seating systems to both the right and left pontoons. Outboard of each pontoon you will find webbing with buckles. Loop around the frame systems and adjust the tension for a firm fit. You will notice four velcro points that are intended to attach to the frame systems (View arrows).



Step 5

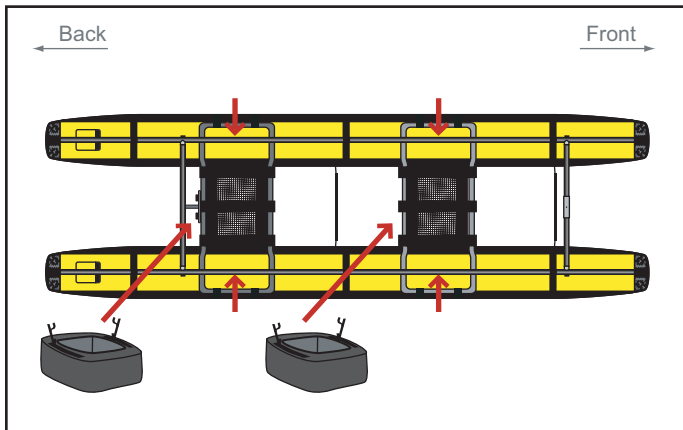
Assemble both the right and left shaft A, B, & C. You will notice a group of velcro points (See arrows) on the top of the skin. Release the velcro and slide the shaft system (A towards the front). Once both shafts are in place make sure to secure the shafts by adjusting the tension on the velcro points.



Step 6

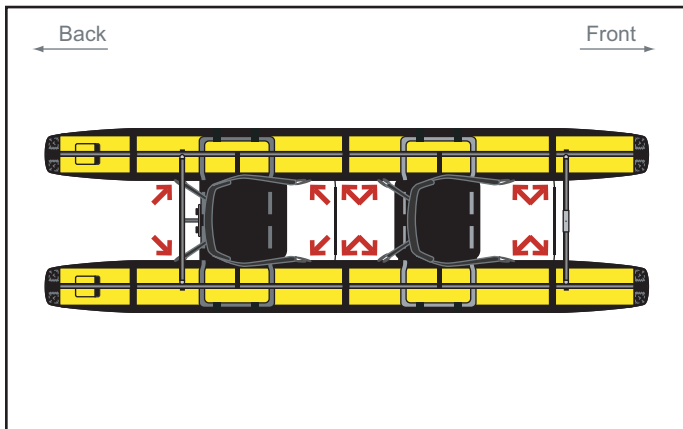
Identify the 6mm holes on right/left shaft A,B,&C (See arrows). Attach shaft D & E with the hand knobs provided. Make sure to place the black vinyl protector between the metal end of the shafts D&E & shafts A,B, & C to avoid abrasion. Adjust the tension as you would when mounting a tire to a car.

HAIKU Instructions



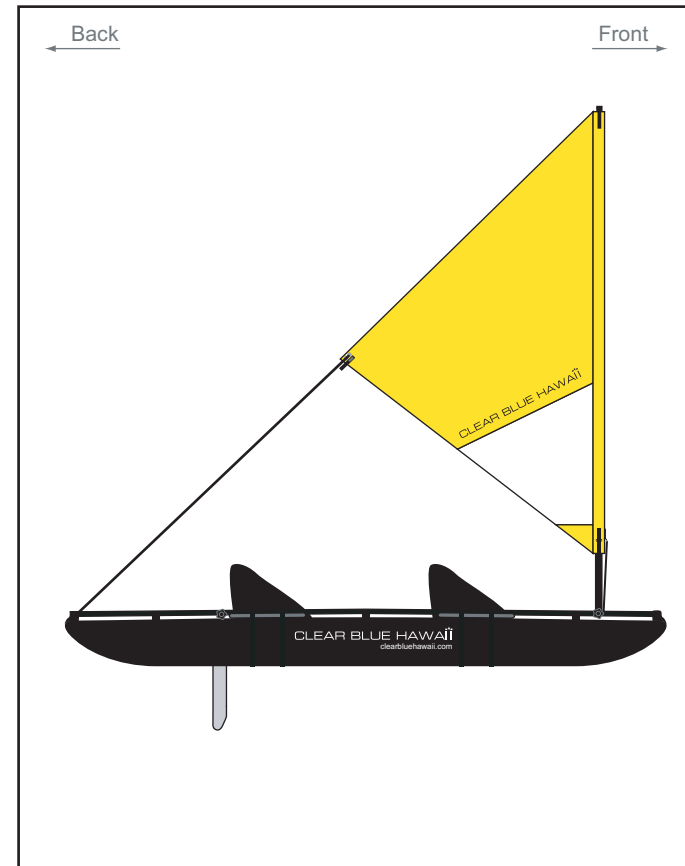
Step 7

These two inflatable storage compartments are designed to add additional buoyancy / storage. They also act as additional foot rest support. If you are a heavy set person we recommend setting them right underneath the frame seating system. Secure to shaft A,B,&C by looping the webbing around the shaft.



Step 8

Now attach the forward & aft back supports (See arrows). Once attached adjust the tension for a custom fit (See images below to understand clearly how the seating attachment works. Adjust the foot brace webbing by adjusting the tension / positioning and your set for your upcoming Adventure!



Step 9

Your Haiku has the ability to mount a sail system (sold separately). For more information contact one of our sales support staff at support@clearbluehawaii.com

www.clearbluehawaii.com

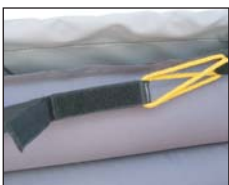
Toll Free: 1-877-777-6708



Step 1



Step 2



Step 3



Step 4

WARNING

When boating: learn and respect the local regulations and practices. Do not neglect the safety rules as this could jeopardize your life and the lives of others.

Before setting off, make sure you are thoroughly briefed and feel comfortable with operating the boat. You will be responsible not only for its safe and correct operation but also for the behavior and safety of yourself and your passengers.

Never leave land without the essential safety equipment: lifejackets (PDFs), foot-pump, repair kit, paddles, and other necessary equipment that might be required by law in your area.

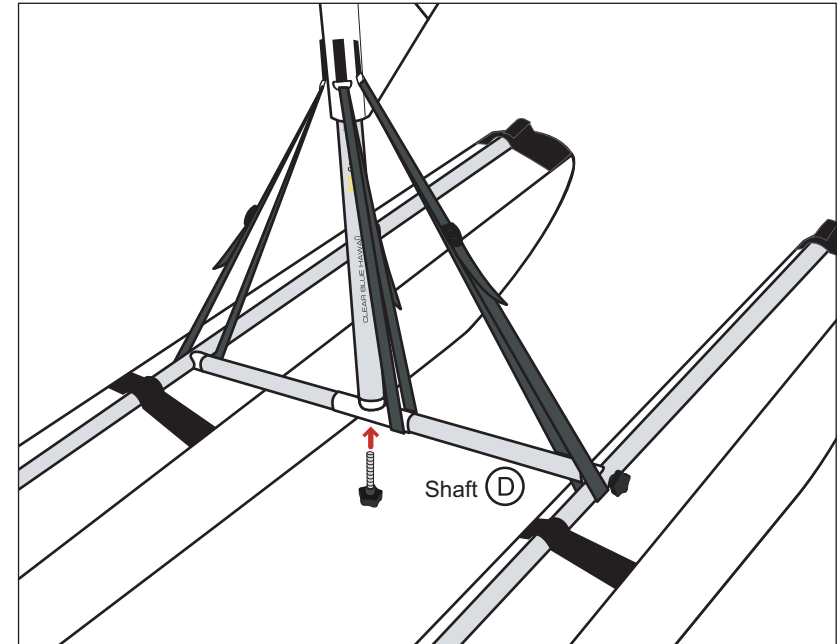
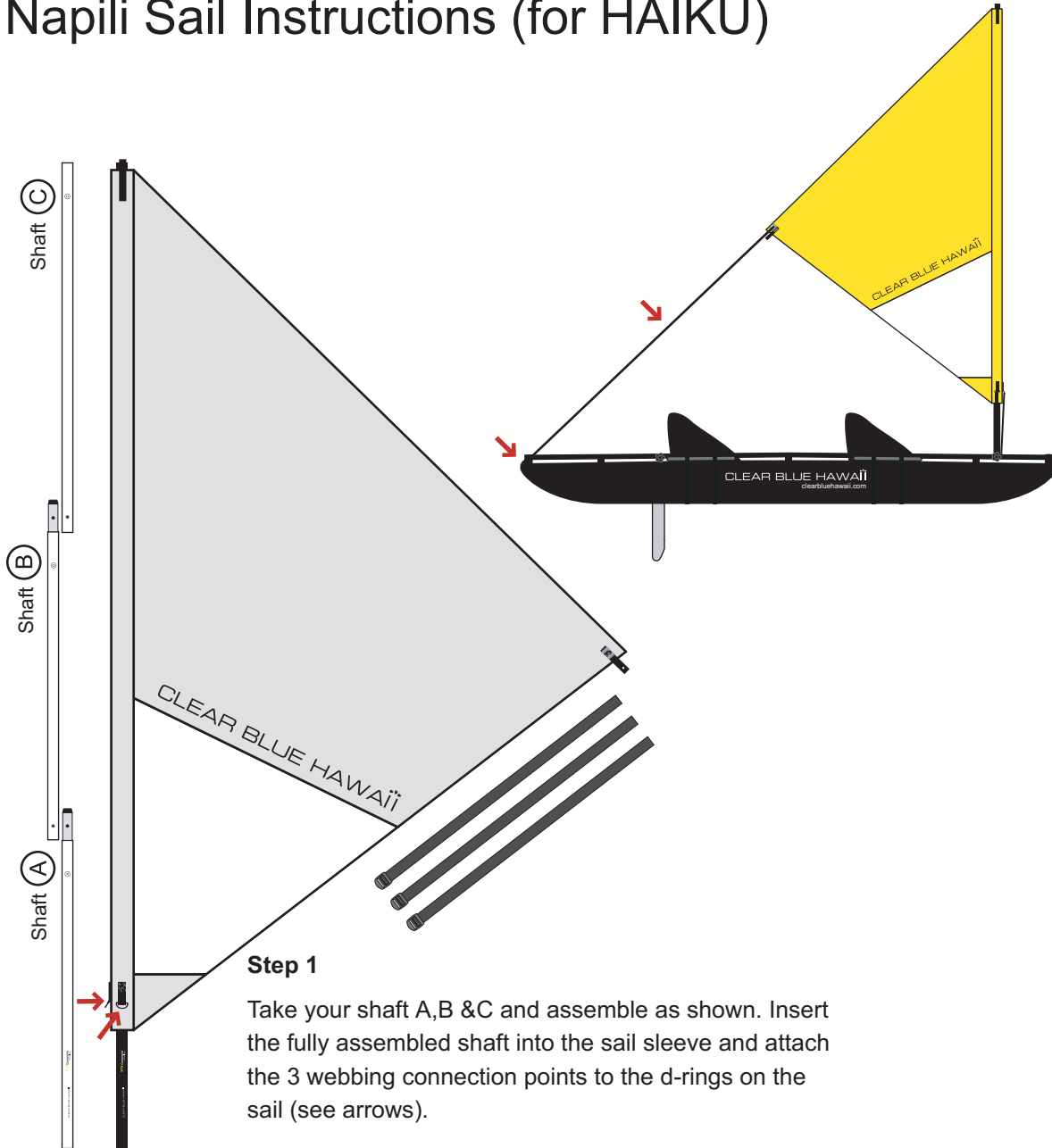
Do not exceed the authorized number of persons or weight.

Make sure your passengers remain seated. We will take no responsibility if this warning is disregarded.

No alcohol or drugs: Do not drink alcohol or take drugs before or while operating your boat. Maintain passengers sobriety.

FOR USE AS A RECREATIONAL/TOURING KAYAK ON CALM WATER, NOT SUITABLE FOR RAPIDS OR ROUGH SEA. THIS IS NOT A WHITE WATER OR SURF KAYAK. TO BE CONTROLLED BY SOMEONE EXPERIENCED ON THE WATER AND APPROPRIATE WATER CONDITIONS, RECOGNIZE THE LIMITS OF YOUR ABILITY. UNDERSTAND YOUR SURROUNDINGS, WEATHER, AND BE ALERT FOR OTHER VESSELS ON THE WATER.

Napili Sail Instructions (for HAIKU)

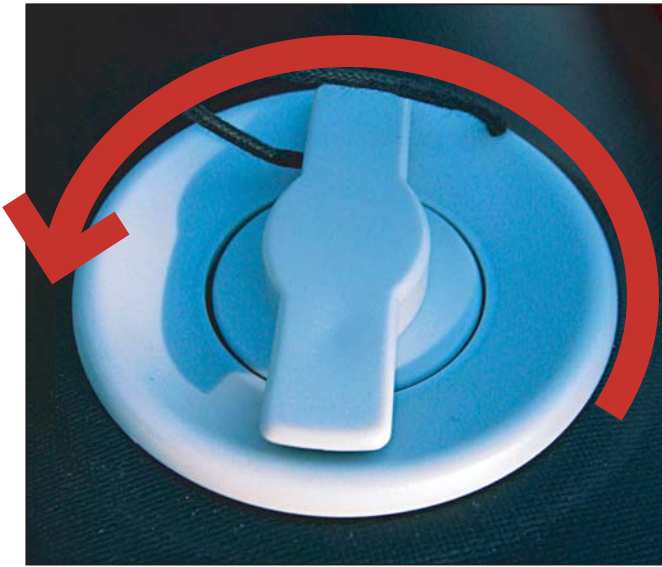


Step 2

Mount the sail mast by screwing it onto the 10mm male hand knob on shaft D. Take the 3 webbing attachment points attached to the sail and secure onto the mount points as shown. Adjust the tension until firm. Attach the cordage to the tip of the sail (see illustration to the left) and secure onto the back of the boat. You are now ready for your Adventure!

*THERE MAY BE ADDITIONAL MODIFICATIONS. CHECK www.clearbluehawaii.com FOR THE LATEST INSTRUCTIONS.

Valve Instructions



Step 1

Unscrew the Valve Nozzle Counter Clock Wise to open.



Step 2

At the center section of the valve you will notice a spring mechanism (gently push down on it). This spring mechanism has been designed to allow you to release air at will.



Step 3

Once you push the spring mechanism down rotate it counter clock wise. This will set/lock the valve to open. To close once again push the spring mechanism and turn counter clock wise. The valve will now be set to close. Play with it several times until you understand this clearly.

Step 4

With the valve set to “close” attach your *pump (note there is a specially designed attachment nozzle that you will find with your repair kit). Simply take the nozzle and attach to any inflatable pump. There are many pumps out in the market. You may find that the fitting may be loose on some pumps. If this is the case take a piece of duck tape to ensure a tight seal.

WARNING!

MAKE SURE TO GENTLY ATTACH AND DETACH YOUR PUMP NOZZLE FROM THE VALVE TO AVOID DAMAGE. * PUMP SOLD SEPERATLY